

Q-LON OVERLAP SEALS: FOR ALUMINIUM APPLICATIONS

QL 46105

TECHNICAL SPECIFICATION

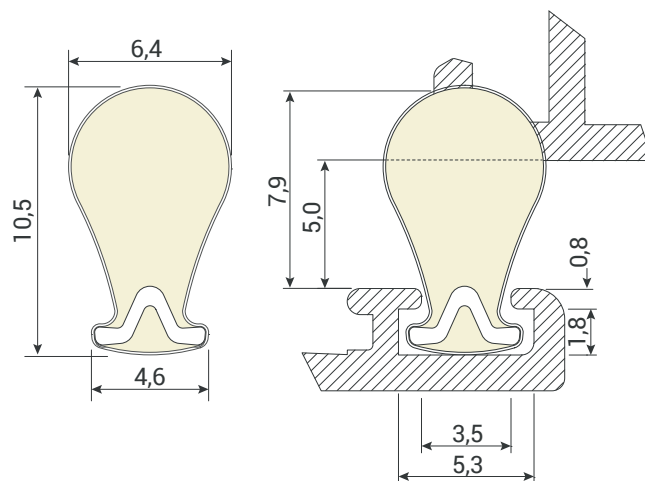
Throat width: 3 - 3,2 mm

Groove width: 5 - 5,6 mm

Seal gap: 5 - 5,5 mm

PACKAGING

250 m x 2



Colours (≈ RAL)

7001	9003	9005
Silver Grey	White	Black

Other colours upon request

Q-LON OVERLAP SEALS: FOR ALUMINIUM APPLICATIONS

QL 46800

TECHNICAL SPECIFICATION

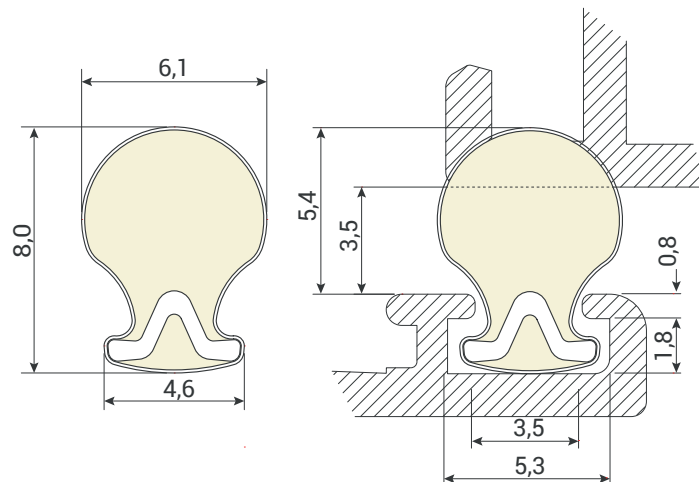
Throat width: 2,6 - 3,2 mm

Groove width: 5 - 5,6 mm




Seal gap: 3 - 3,5 mm

PACKAGING

250 m x 2



Colours (≈ RAL)

7001	9003	9005
		
Silver Grey	White	Black

Other colours upon request